

YANTRA[®]

DELIVERING
PERFECTION





GETTING TO KNOW WINDOWS

The word window derives from two old Norse words, vindr (wind) and auga (eye) to mean “wind’s eye.” This wind’s eye, as it was known was nothing but a hole in the Scandinavia house’s roof for ventilation. Carpenters from Britain adapted the Norse terms and changed it to window (putting a glass across the eye).

Glass has been a feature in human life even before Christ. It was the Romans who first learned how to make glass as early as 400 B. C. This man-made glass was used for simple uses, such as decorating pots or other vessels. Glasses were first used for windows in buildings during the period of Romans in 1st Century A.D. However, the manufacture of glass windows and need for it did not really take hold until 600 A.D. when the Germans established manufacturing plants along the Rhine.

In today’s world, expectations from a fenestration (windows) system relating to the performance of windows are not only on basic requirements of aesthetic design and features such as watertight-ness, airtight-ness, & structural stability combined with durability and ease of maintenance but a high performance sophisticated fenestration system with high insulation values for Thermal, Acoustic and Burglar-Proof rating, these requirements are a norm now.

As man continues to move ahead, looking for comforts, inventing new possibilities, we will see new glass windows join the history of fenestration in the near future.

OUR CONTRIBUTION TO THE FUTURE OF FENESTRATION

Business is about ideas. Ideas that provoke, ideas that inspire, ideas that endure. Yantra Window Systems was formed with the idea of creating a new performance and service benchmark in the fenestration industry. We are a Windows Solution Provider company with a global reach and focus on the future.

Supported by a team of qualified and experienced professionals with a combined experience of more than eighteen years, Yantra is dedicated and determined to provide the right fenestration solutions to our clients, anywhere, every time.

At Yantra, our windows are designed with precision, keeping in mind the end user. Our products are performance based and are engineered with complete attention towards making end users living environment comfortable.

For Yantra and its team, each project, big or small is undertaken with optimum dedication and professionalism for all our clients utter satisfaction. As is the mantra at Yantra, the size of the project doesn't matter, the end result does.

We don't just execute, we service with Perfection.



ANTRA SLIDING WINDOW SYSTEM SL 28/ SL 35

System SL 28/35 was developed considering the parameters of tropical climatic conditions and fulfilling the basic requirements of weather protection i.e. air infiltration and water penetration for the end user. The systems are based on International standards and comply with the said specification.

Project based certification for all products used in the system and the overall system certification can be provided on request.



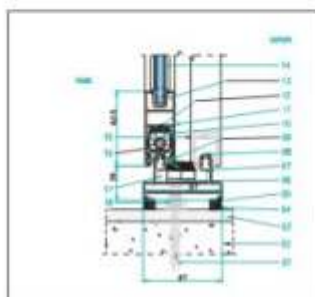
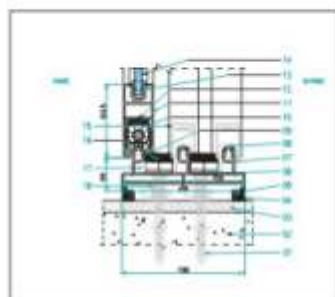
SL 28



SL 35

FEATURES

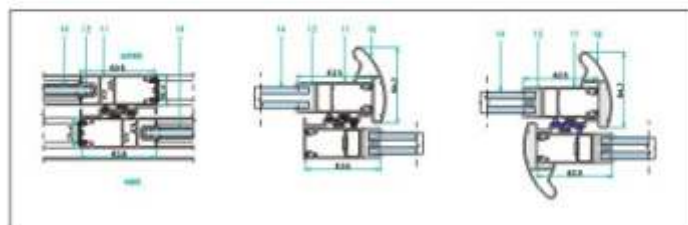
- System profiles are designed considering specified wind loads based on window layout, elevation details & location parameters to ensure structural performance requirements are taken care off based on IS tropical codes. System designed for performance parameters on requirements of:
 - Water penetration control (300-600 Pascal).
 - Air permeability control (300-600 Pascal).
 - Structural Stability performance of windows for high wind pressure (1.5 kpa to 3.5 kpa).
- System designs formatted to ensure larger adaptability to varied cladding requirements based on thermal and acoustic performances cladding adaptability range from 5 mm to 24 mm.
- System reliability based on in-house factory production with specialized tooling and cutting machinery and installation taken care by trained qualified team members to ensure end user performance expectations are met with.



SECTION DETAILS SL 28

DESCRIPTION:

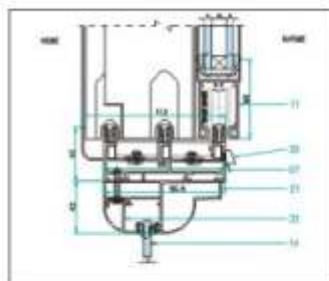
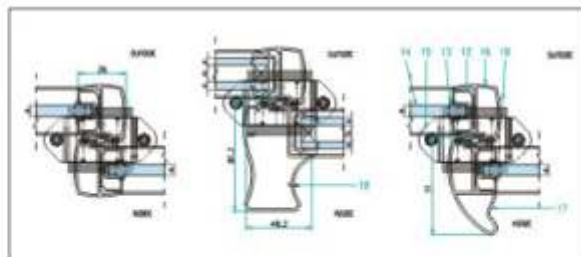
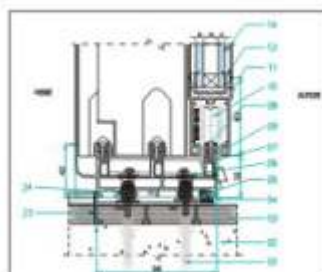
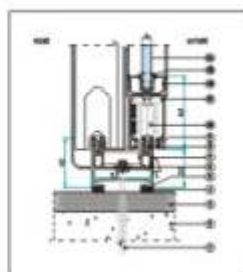
- 01 - #8X60 LG. S S WOODEN SCREW
- 02 - RCC / BRICK WORK
- 03 - MARBLE
- 04 - WEATHER SILICON
- 05 - EXPANDABLE PU FORM
- 06 - HOLE CAP
- 07 - OUTER TRACK FRAME
- 08 - RAIL SECTION
- 09 - SHUTTER PROFILE
- 10 - FIXED/ ADJUSTABLE PULLEY
- 11 - WINDOW HANDLE SECTION
- 12 - GRUB SCREW
- 13 - EPDM GASKET
- 14 - GLASS
- 15 - MACHINING CAP
- 16 - BIG INTERLOCK
- 17 - PLASTIC PACKER
- 18 - ADJUSTABLE SETTING BLOCK



SECTION DETAILS SL 35

DESCRIPTION:

- 01 - #8X60 LG. S S WOODEN SCREW
- 02 - RCC / BRICK WORK
- 03 - MARBLE
- 04 - WEATHER SILICON
- 05 - EXPANDABLE PU FORM
- 06 - HOLE CAP
- 07 - OUTER TRACK FRAME
- 08 - RAIL SECTION
- 09 - DUSTING PAD WOOL PILE
- 10 - ADJUSTABLE PULLEY
- 11 - SHUTTER FRAME
- 12 - SINGLE GLASS ADAPTOR
- 13 - EPDM GASKET
- 14 - GLASS
- 15 - DUSTING PAD
- 16 - SMALL INTERLOCK
- 17 - BIG INTERLOCK
- 18 - JUMBO INTERLOCK
- 19 - ANTLIFT CAP
- 20 - DRAINAGE CAP
- 21 - OUTER FRAME
- 22 - OUTER BEADING



ANTRA SLIDING WINDOW SYSTEM SL 28/ SL 35



PINEWOOD, BRENTWOOD, BIRCHWOOD, M/S. HIRANANDANI CONSTRUCTIONS



SOMERSET, POWAI

M/S. HIRANANDANI CONSTRUCTIONS



CASAMARINA

M/S. HIRANANDANI CONSTRUCTIONS



CIROC

M/S. RUSTOMJEE (KEYSTONE GROUP)



DELLA ENCLAVE, LONAVLA, M/S. DELLA TECHNICA



F.T. TECHNOLOGIES, ARCHITECT-NEENA PURI



MARATHON ERA, M/S. MARATHON GROUP



EVITA, M/S. HIRANANDANI CONSTRUCTIONS

ANTRA CASEMENT WINDOW SYSTEM C 28/45/54/60 & TB55

Casement System was developed considering the parameters of tropical climatic conditions and fulfilling the basic requirements of weather protection i.e. air infiltration and water penetration for the end user. The systems are based on International standards and comply with the said specification.

Project based certification for all products used in the system and the overall system certification can be provided on request.



C 28



C 54



C 60

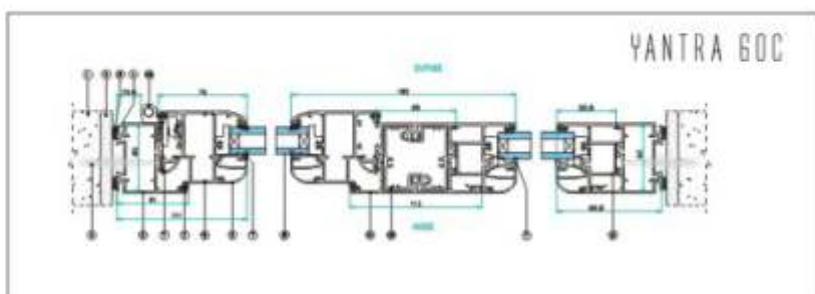
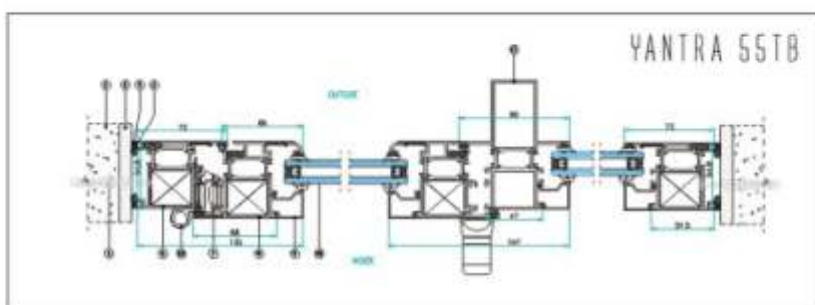
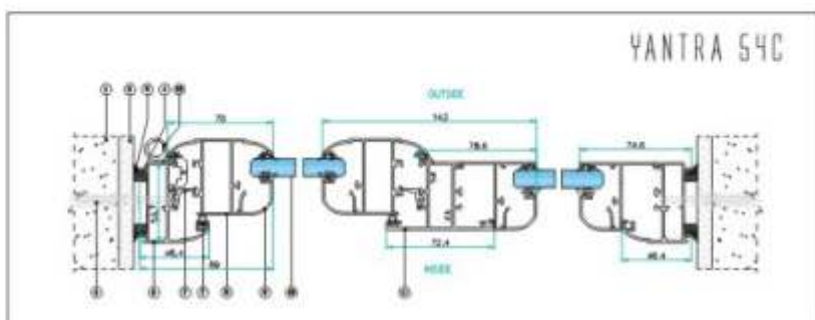
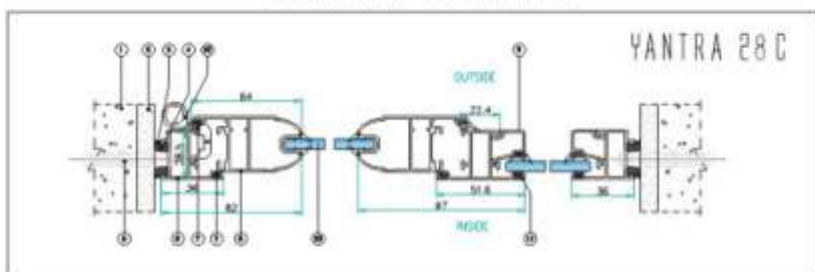


C 55TB

FEATURES

- System profiles are designed considering specified wind loads based on window layout, elevation details & location parameters to ensure structural performance requirements are taken care of based on IS tropical codes. System designed for performance parameters on requirements of:
 - Water penetration control (300-600 Pascal).
 - Air permeability control (300-600 Pascal).
 - Structural Stability performance of windows for high wind pressure (1.5 kpa to 3.5 kpa).
- System designs formatted to ensure larger adaptability to varied cladding requirements based on thermal and acoustic performances cladding adaptability range from 5 mm to 39 mm.
- System reliability based on in-house factory production with specialized tooling and cutting machinery and installation taken care by trained qualified team members to ensure end user performance expectations are met with.
- Acoustic Insulation: Cold profiles ensure 30db sound reduction based on system design & high quality EPDM gaskets. For specialised application thermal break profiles & specified cladding details can ensure acoustic insulation up to 48db.
- High security cladding and locking options available for specific requirements.

SECTION DETAILS



DESCRIPTION:

- | | |
|---------------------------------|------------------------|
| 01 - P.O.P FINISH | 08 - SHUTTER FRAME |
| 02 - MARBLE | 09 - BEADING |
| 03 - SILICON | 10 - GLASS |
| 04 - PU FOAM | 11 - MULLION |
| 05 - #8X60 LG. S S WOODEN SCREW | 12 - HINGES |
| 06 - OUTER FRAME | 13 - MULLION CONNECTOR |
| 07 - EPDM | 14 - ADAPTOR |

ANTRA CASEMENT WINDOW SYSTEM C 28/45/54/60 & TB55



BHARAT DIAMOND BOURSE
M/S. BHARAT DIAMOND BOURSE



KENSINGTON
M/S. HIRANANDANI CONSTRUCTIONS



OLYMPIA
M/S. HIRANANDANI CONSTRUCTIONS



MR. KORAKIWALA'S RESIDENCE
ARCHITECT-ZARIR MULLAN



F.T. TECHNOLOGIES; ARCHITECT-NEENA PURI



SCHOOL BUILDING, THANE
M/S. HIRANANDANI



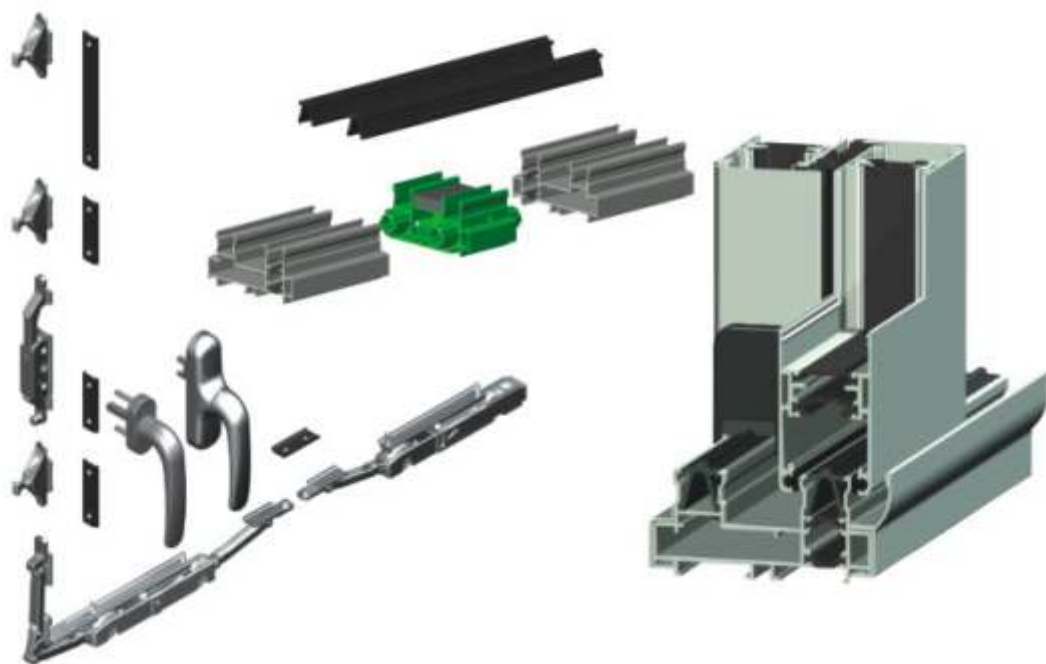
NEW SCHOOL, POWAI-M/S. HIRANANDANI CONSTRUCTIONS



VENTURA, M/S. HIRANANDANI CONSTRUCTIONS

ANTRA LIFT SLIDE WINDOW SYSTEM LS 45

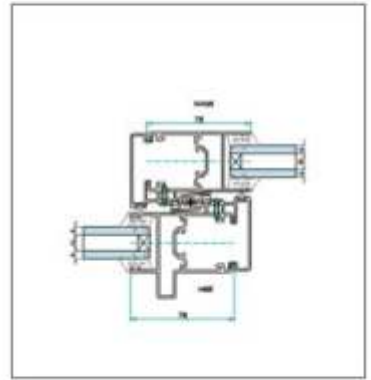
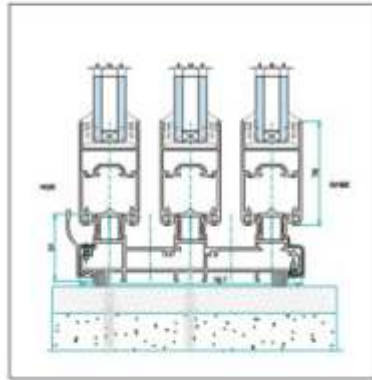
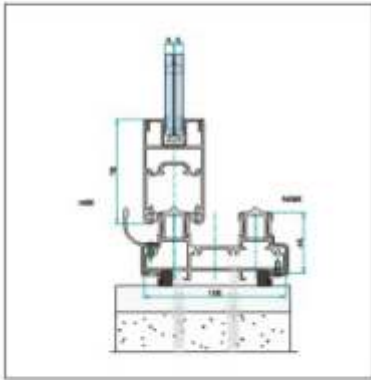
With technical backup from Giese (Italy) LS45 system has been developed with specialised profiles and hardware system to meet the most demanding performance requirements wherein the use of gaskets instead of conventional weather-strip allows the air infiltration & water penetration performance of horizontal sliding windows to be raised to the level of casement windows.



FEATURES

- Excellent Water Drainage:
 - The middle joint incorporates a sophisticated water drainage system with flow rates exceeding 8 l/min, thus eliminating all the machining operations on frame profile the joint has large valves that prevent water from dropping inside with presence of strong winds.
- Air and Water Performance:
 - System has been tested following European standard EN 12208. Thanks to the use of the gaskets, performance is comparable to that of projected windows (900 Pa).
- High insulation performance in sliding windows:
 - High insulation thanks to the elimination of frame profile longitudinal heat loss.
- Security:
 - Closing devices: Class 2 (Tested according to ENV1630:2000).

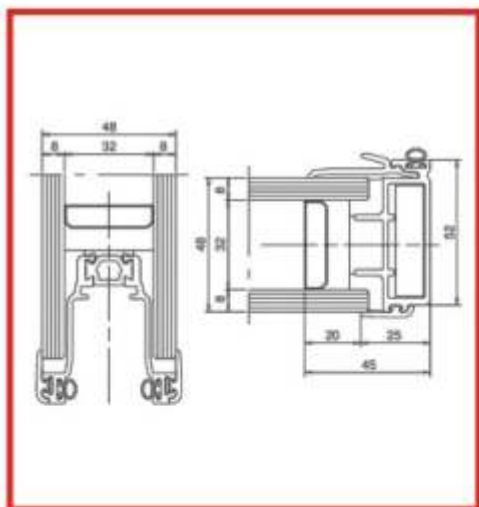
SECTION DETAILS



AASHIYANA, M/S. ROHAN LIFESCAPES.

YANTRA SLIDING WINDOW SYSTEM (ESSENZA)

With Yantra, you always expect the best and we thrive to deliver the best in the market. Yantra is proud to be associated with Essenza, a leading Italian company in glass window system. Essenza products are certified to the highest standards, in line with a top quality casement window or terrace door. These products are also certified by European official testing institute for air and water infiltration and structural performance.





BORDERLESS DOORS AND WINDOWS

YANTRA

ANTRA FACADE SYSTEMS

Standard range of façade systems to cater to all kind of façade applications like curtain walls, metal cladding, balustrades, etc are designed considering the parameters of tropical climatic conditions and fulfilling the basic requirements of structural stability & weather protection i.e. sustainability to wind & seismic loads, air infiltration and water penetration for the end user. The systems are based on the International standards and comply with the said specification.

Project based certification for all products used in the system and the overall system certification can be provided on request.



CURTAIN WALL



STRUCTURAL GLAZING



FRAMELESS

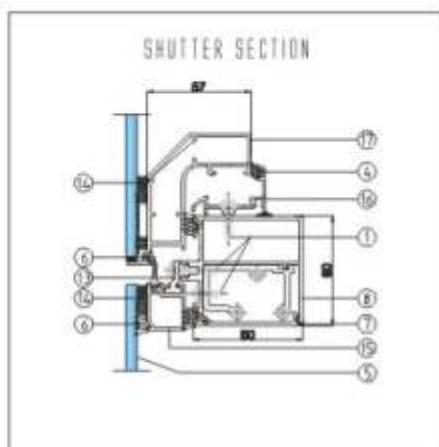
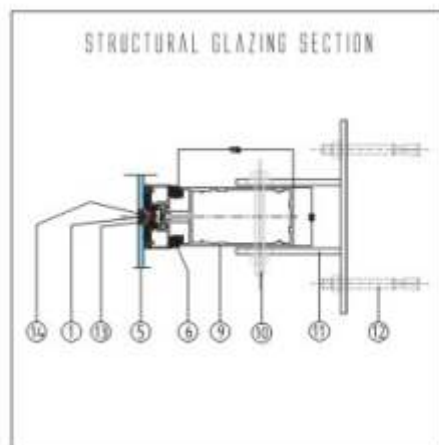
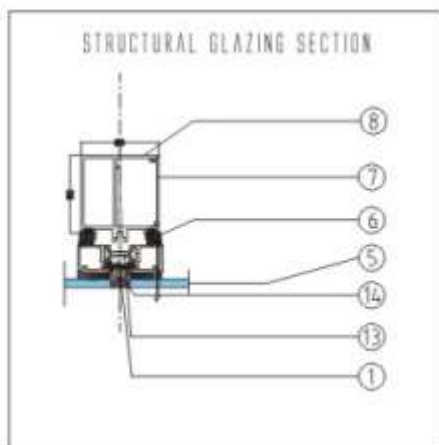
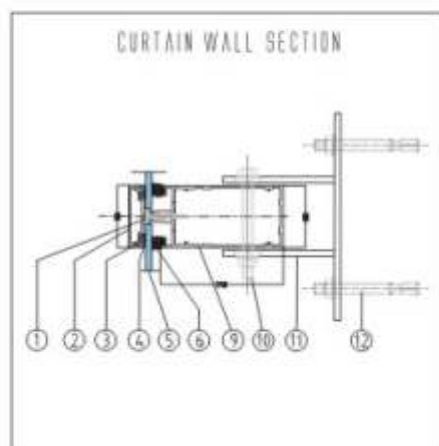
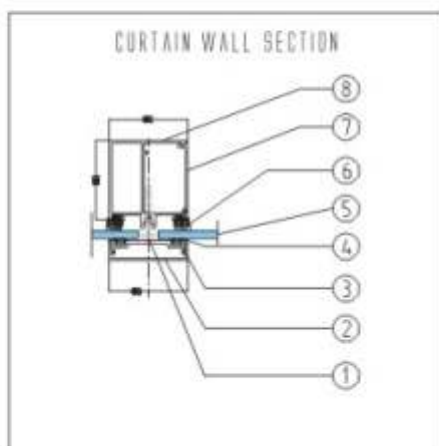


METAL FACADES

FEATURES

- System profiles are designed considering specified wind loads based on facade layout, elevation details & location parameters to ensure structural performance requirements are taken care of based on IS tropical codes.
- System designs formatted to ensure larger adaptability to varied cladding requirements based on thermal and acoustic performances.
- System specific requirements on smoke seal & fire stop inbuilt in all façade systems.
- System reliability based on in-house factory production with specialized tooling and cutting machinery and installation taken care by trained qualified team members to ensure end user performance expectations are met with.

SECTION DETAILS



- DESCRIPTION:
- 01 - SCREW
 - 02 - PRESSURE PLATE CAP
 - 03 - PRESSURE PLATE
 - 04 - EPDM
 - 05 - GLASS
 - 06 - EPDM
 - 07 - TRANSOM CAP
 - 08 - TRANSOM
 - 09 - MULLION
 - 10 - BOLTS AND NUTS
 - 11 - MS BRACKET
 - 12 - ANCHOR FASTNER
 - 13 - PANEL CONNECTOR
 - 14 - SILICONE
 - 15 - PANEL SECTION
 - 16 - OUTER FRAME SECTION
 - 17 - SHUTTER SECTION

ANTRA FACADE SYSTEMS



CRYSTAL PARADISE
M/S CRYSTAL GROUP OF COMPANIES



HSBC.
M/S. K. RAHEJA CORPORATION.



THE HUB.
M/S. PRANIK LANDMARK AND ASSOCIATES.



SONY MONY.
M/S. ACME HOUSING (INDIA) PVT. LTD.



BRITISH GAS HOUSE
M/S. HIRANANOANI CONSTRUCTIONS



YASHRAJ STUDIO
M/S. YASHRAJ FILMS PVT. LTD.



SAI SHARAN HOTEL
M/S. CONCRETE BUILDERS



BAKHTAWAR
M/S BAKHTAWAR COMMERCIAL PREMISES CO-OP SOCIETY

YANTRA INTERNATIONAL ASSOCIATES

With the idea of providing the best quality products in the Indian market, Yantra aims to have strategic associations with the best of fenestration & associated products & services companies throughout the world. To continue delivering on this promise, Yantra is associated with number of International renowned companies for technology, materials and product sourcing.

Keeping up with the promise of providing the most superior quality products, Yantra are proud to be associated with European companies whose products have been certified with CE mark that guarantees the quality and compliance of the products with all European Community directives. These products also have the UNI Quality mark that certifies the compliance of each of the products.

Few of the products & services that can be catered to through our international associates on specific requirement basis:





FULLFILLING YOUR NEEDS

Yantra has now made features and quality of glass windows, which was a luxury in the past, a norm of the present. Continuing this legacy, we offer you a wide range of windows to select from with required cladding and system performances and varied ranges of surface finishes.



TILT AND TURN WINDOW



TOP HUNG WINDOW



SLIDE AND FOLD WINDOW



CASEMENT WINDOW-
INSIDE OPENABLE.



PIVOTED WINDOW



LOUVERED WINDOW



CASEMENT WINDOW-
OUTSIDE OPENABLE.



BOW WINDOW



SLIDING WINDOW



BAY WINDOW



WINDOWS WITH IN BUILT
AUTOMATIC LOUVERS



TILT AND SLIDE WINDOW



POWDER COATED / PVDF



ANODIZED



WOOD COATED

WINDOWS ATMOSPHERIC PERFORMANCE

Windows provide light, fresh air and a view to our great outdoors but they are major source of unwanted heat in summer and heat loss in winter. Our energy efficient windows reduce the transfer of unwanted heat in summer and heat loss in winter. Yantra systems have the highest standard of sealing possible to ensure effective solutions for water penetration and air and noise infiltration.



YANTRA SYSTEMS SUPPORT

Yantra systems are indigenous designed systems where in all products are designed as per end user requirement by experienced qualified team members and procured from international suppliers providing best of product quality and are experienced for decades in delivering products and services as per required norms and standards.





YANTRA

D-362, T.T.C Industrial Area, Kukshet behind IOC Terminal,
Near Vishal Hotel, Juinagar, Navi Mumbai - 400 705.
Tel: +91 22 27610527 / 28. Fax: +91 22 27610526

www.yantraindia.com